

GRANDE ALUMINIUM CASEMENT SYSTEM



GRANDE

Creating an impression of a lifetime



PEOPLE PASSION PROFILES

profine India, a 100% subsidiary of profine GmbH-represented globally, is characterised by quality thinking, innovative strength, efficient processes and responsibility. The pursuit of excellence in all areas is our driving force. What really set us apart is not just quality but also the technical support that we offer and focus on customer satisfaction. The close partnership with our customers is the foundation of our success.

The goalposts keep changing and the requirements keep growing – the challenges faced by window specialists are becoming more complex. Our services take the pressure off from our window partners so that they can concentrate on the success of their business. With innovative new generation window and door systems, we set new standards in the international markets and meet people's needs of brightly lit residential and work spaces. We create the conditions for modern and energy efficient architecture. We provide optimized sound insulation for quiet and stress-free living spaces and create a healthy atmosphere using forward-looking systems.

We take our commitment to being close to the customers; we have our presence across the country. This local presence allows us to understand the requirements of the market and provide the best support to our customers. Another advantage of our close proximity is that we can deliver fast. Our efficient logistic system ensure product arrive at the right place and time.



GRANDE



The Perfect Addition To Your Home

Introducing **GRANDE** - The Big Casement Door, a fusion of style, durability and versatility that is perfect for any home. Made with German precision and special attention to the Indian architectural style, that will outperform any weather challenges. With a high wind load capacity, water tight design, and various colourfast options, this door is sure to last for years to come.

The casement door system has been designed to suit various building designs, be it home, office or any other building. The advantage of this system is its extraordinary size which enhances its usability and allows it to compliment buildings of any architectural shape or size, while the robust and elegant design adds a touch of class and attention. This high-performing modern system gives you the option of single-sash, double-openable, fix and openable door to meet the architecture/interior requirement of your dwelling.

If you are looking for an advanced, elegant, robust and high performing door that will stand the test of time, then you can vouch on Grande casement door.





Salient Features

- Robust, elegant and high performing casement door system
- Maximum shutter size 1.4 X 3 mtr
- Glass thickness SG and DGU up to 34 mm
- Inside & outside open sash option
- Single open door, double openable door, fix and openable door
- Door mullion profile
- Low threshold profile for door
- Wind load up to 2.5 KPA
- Multi-point locking to ensure higher security
- Available in multiple colour options
- Low maintenance, eco-friendly and non-flammable
- 10 years warranty

Quality Standards

Tests	Standards	Result
Water Tightness	EN 12208	Class 7A
Air infiltration	EN 12207	Class 3A



Highest level of Quality



Durable and Low Maintenance



Built for Extreme Weather Conditions



Non Flammable

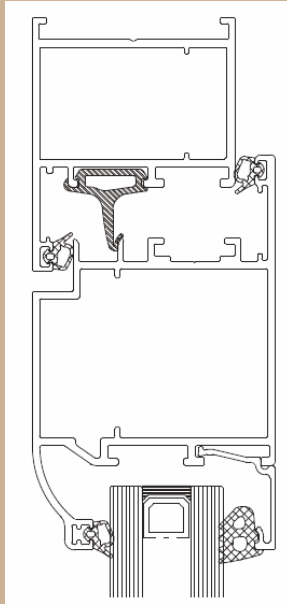


Colourfast and 100% Recyclable

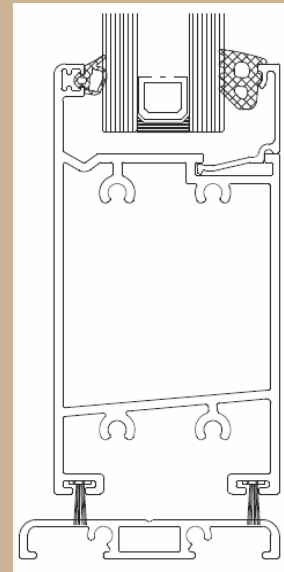


Maximum choice of colours

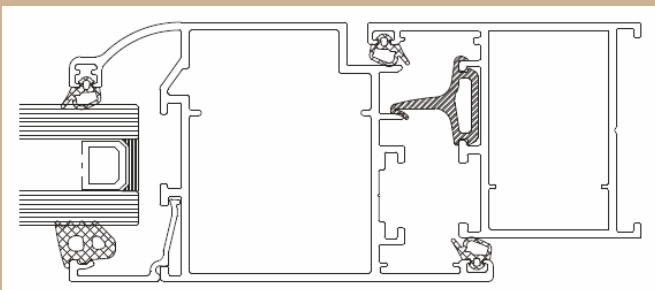
**Top Vertical
Cross-Section**



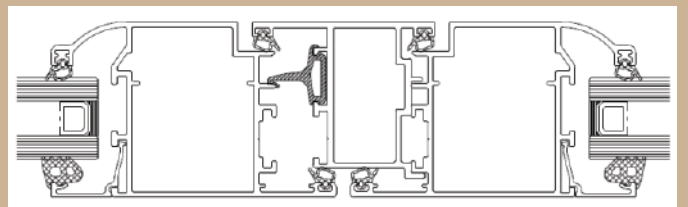
**Bottom Vertical
Cross-Section**



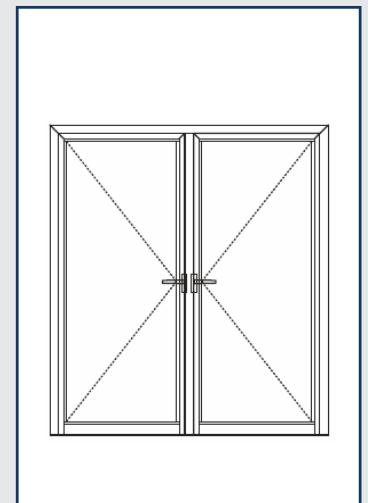
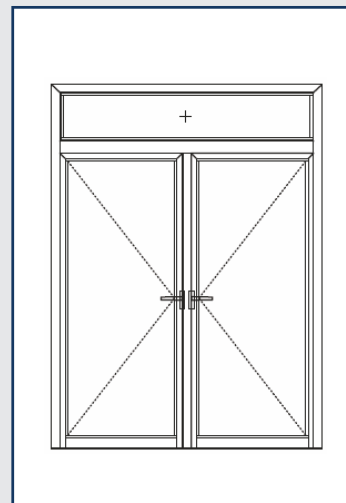
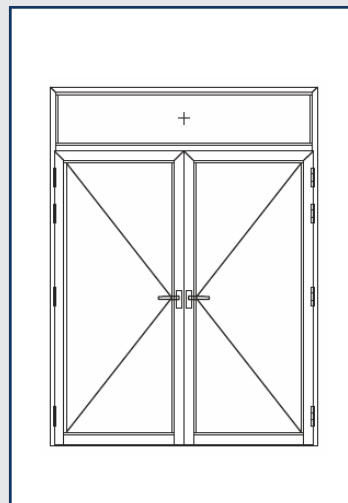
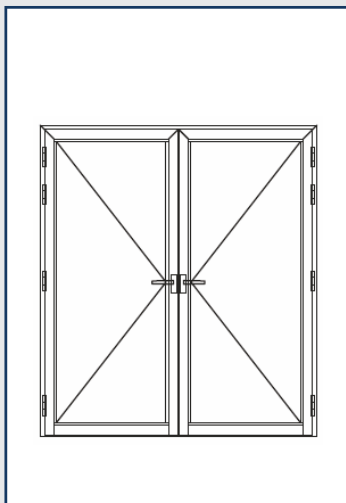
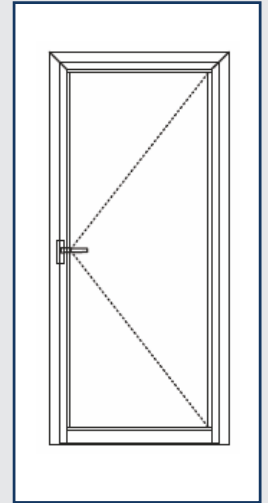
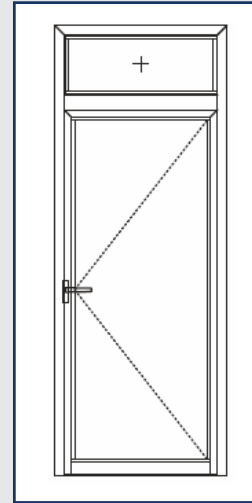
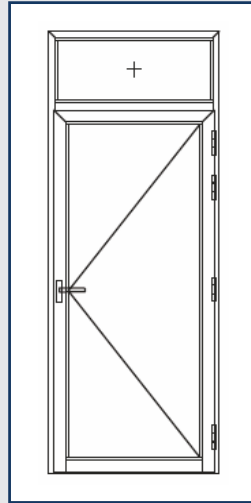
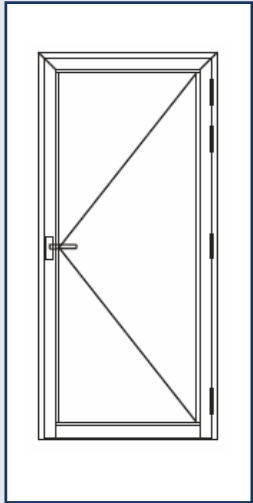
**Side
Cross-Section**



**Dummy Mullion
Assembly**



Door Typology





Brilliant surfaces - In colour or in metallic effect

POWDER FINISHING FOR THE COLOUR YOU WANT

Thanks to the high-quality enamelling of the powder-finished profiles, the elements of aluminium retain their original brilliance even after many years and do not need a fresh coat of paint. You can choose from the whole RAL palette with over 200 colours. These RAL colours are available in glossy, matt, and textured.

ANODIC FINISH FOR A BRILLIANT LOOK

The process yields brilliant surfaces and characteristic metallic effects. Anodic finishing is beneficial not only for appearance but also for long-lasting protection against increasingly aggressive environmental effects. Furthermore, anodised surfaces are insensitive to mechanical effects and are easy to clean.

